

CSDVision PTZ & Zoom Camera

Model No.
ACP-PTZ27XP
ACP-PTZ36XP



Features

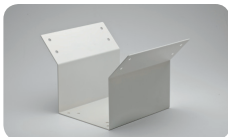
Internal housing surface mount 27x and 36x Speed Dome Camera

- 0.024° Dome system accuracy with 1/8 micro step,
- Reliable Ram-material, Controlling Pan/Tilt Speed while zooming ,
- Power misconnection protection function on RS-485 terminal,
- 1/4" Sony Ex-view CCD, Filter Changeable Type Day& Night, 432x (36x optical with 12x digital zoom), 24 Privacy masking zones (18x, 26x), 8 Patterns available,
- 8 Programmable group tours (each one consisting of up to 60 preset steps with different sped),
- 8 Selectable Areas with 16 characters, 165 Presets, 4 Alarm input and 2 Relay output, Auto Flip Function, Max 300°/sec Pan & 250°/sec Tilt speed (on preset mode),
- Digital slow shutter, Quick operation keys,
- Communication Protocol System :RS-485, Pelco-D, Pelco-P protocol available,
- Password Protection

Accessories



ACB-SMPTZ
Wall Mount Bracket



ACB-SCNRMNTW
Corner Mount Adaptor

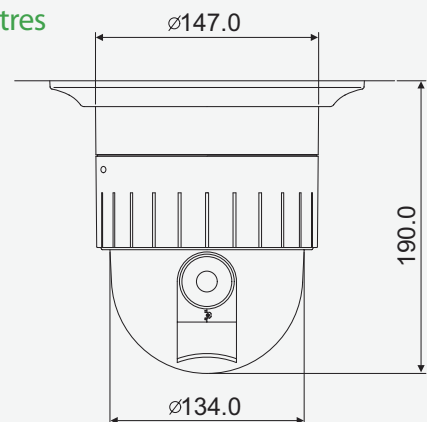


ACB-ODPTZ
Outdoor housing



ACB-SPOLLMNTW
Pole Mount Adaptor

Dimensions Millimetres





CSDVision PTZ & Zoom Camera

Model No.

ACP-PTZ27XP ACP-PTZ36XP

Product Specifications

MODEL	ACP-PTZ27XP	ACP-PTZ36XP
PAN /TILT		
Pan Rotation Angle	360° Endless	
Pan Speed	Manual 0.5° ~ 100 or 200°/sec (64step) Preset Max 300° /sec , Min 10° /sec	
Tilt Rotation Angle	-2° ~ 90°	
Tilt Speed	Manual 0.5° ~ 45°/sec (64step) Preset Max 250° /sec , Min 200° /sec	
System Accuracy	0.024°	
FUNCTIONS		
Presets	165 positions with 16 character labels available for each position with different speed steps	
Group Tour	Max. 8 Programmable group tours (each one consisting of up to 60 preset steps with different steps)	
Auto pan	Programmable Auto Scan	
Pattern	8 Programmable Patterns (total 480 seconds)	
Sector	8 Selectable Sectors with 16 characters	
Password Protection	Yes	
Privacy Zone	4	24
Alarm Input	4 alarms (with various programmable states)	
Alarm Actions	Activate preset, Group scanning or Pattern per alarm input	
Aux Output	2 Replay Output	
Auto Flip	ON / OFF	
OSD Menu	Yes	
Communication	RS-485	
Protocol	Built in Pelco-D, Pelco-P	
POWER		
Power Consumption	36W Max	
Power Supply	18~32VAC 60/50Hz 1.5A	
OTHERS		
Construction	Aluminium body, Anti-vandal bubble (Poly Carbonate)	
Dimensions	190 mm (D) * 307mm(H)	
Weight	5.7 kg	
Motor Type	Stepping motor	
Micro Steps	1/8 Micro Step	
Operating Temperature	-10° ~ 50°C without heater, -40° ~ 50°C with optional heater	
Certifications	CE, FCC, IP66	
CAMERA MODULE		
Image Sensor	1/4" Sony Exview HAD CCD 1/4"Sony super HAD CCD 1/4"Sony super HAD CCD 1/4" Sony Exview HAD CCD 1/4" Sony Exview HAD CCD	
"Total Image Pixels"	PAL 795(H) * 596(V) 470K	
"Number Of Effective Pixels"	PAL 752(H) * 582(V) 440K	
Horizontal resolution	560 TV Line	More Than 530TV Lines
Lens	Optical "27x Optical Zoom (F1.6 ~3.0, f=3.384~88.4mm)" Digital 10x (270x with optical)	"36x Optical Zoom (F=1.6 ~ 4.5, f=3.4 to 122.4mm)" 12x (432x with optical)
Min.Shooting Distance	0.1m(Wide)/1m(Tele)	0.32m(Wide)/1.5m(Tele)
"Min.illumination"	Normal mode 0.6Lux (50IRE) Night mode 0.1Lux (ICR On)	1.4Lux (50IRE) 0.01Lux (ICR On)
Day & Night (ICR)	Auto/ Day/ Night	
Luminance S/N Ratio	More than 50dB	
Digital Slow Shutter	ON/ OFF	
Video Output	Composite video output 75 ohm terminated	
BLC	ON / OFF	
Flickerless	ON / OFF	